

NOT FOR PRODUCTION

201002 RII / 1 OF 5

09.30.21 R9 VT: REVISE SIGN A TO SHOW 8'-0" OAH C-45 AND C-32 MONUMENT OPTIONS PER JEFF STOCKTON, NO OTHER CHANGES. 08.25.21 R8 VT: MOVE SIGN D1 TO OTHER END OF CANOPY ON SITE MAP AND PHOTO RENDERING, UPDATE PHOTO FOR SIGN A, ALL PER STEVE LOCKE/JEFF STOCKTON, NO OTHER CHANGES. 10.01.21 R10 VT: ADD STONE TO SIGN A BASE FOR BOTH OPTIONS PER JEFF STOCKTON, NO OTHER CHANGES. 07.27.21 R5 VT: ADD SITE MAP W/ FRONTAGES, ADD CALLOUTS TO SIGN A, ADD SIGN B "THE STORE" SIGN FROM JOB #210769, ADD SIGN C "THE CAR WASH" SIGN, ALL PER JEFF STOCKTON. 06.23.21 R4 VT: REVISE SIGN A CONCEPT PER JEFF STOCKTON/CUSTOMER. 06.23.21 R3 VT: REVISE SIGN A CONCEPT PER JEFF STOCKTON/CUSTOMER. 06.07.21 R2 VT: REVISE SIGN A CONCEPT PER JEFF STOCKTON/CUSTOMER. 05.17.21 R1 VT: SHOW OPTIONS FOR 20' OAH PYLON SIGNS W/ C-45 COMPONENTS AND OPTION FOR EMC FACES ALL PER JEFF STOCKTON. 12.10.20 VT 10.01.21 VT 05.17.21 VT 10.11.21 VT 06.07.21 VT 06.23.21 VT 06.23.21 VT 07.27.21 VT 07.29.21 VT 08.18.21 VT 08.25.21 VT 09.30.21 VT



PO Box 4590 | 204 Campus Way Modesto Ca 95350 | O 209.524.4484 | F 209.521.0272 | Ca LIC#268001 | C-45 | Nv Lic#0082570 | C-6

MEMBER
 California Sign Association
 Western Sign Association
 International Sign Association

NOTICE TO THE CUSTOMER
 Note: The colors depicted on this rendering may not match actual colors used on the finished display. Please refer to the detail drawing for the approved color specifications. Note: The cost of providing electrical wiring to the sign area, all required permits and all special inspections are not included in this sign proposal. Note: The proportion of signs shown on building & landscape area photos is an approximate representation.

CUSTOMER APPROVAL

ACCEPTED W/ NO CHANGES ACCEPTED W/ CHANGES AS NOTED
 REVISE AS NOTED AND RESUBMIT

BY CUSTOMER BY LANDLORD
 DATE _____ DATE _____

DATE	BY	DATE	BY
12.10.20	VT	10.01.21	VT
05.17.21	VT	10.11.21	VT
06.07.21	VT		
06.23.21	VT		
06.23.21	VT		
07.27.21	VT		
07.29.21	VT		
08.18.21	VT		
08.25.21	VT		
09.30.21	VT		

COMPANY OR JOB NAME / JOB DESCRIPTION		201002 RII
CHEVRON POLE SIGN		
ADDRESS: 5433 NEROLY ROAD OAKLEY CALIFORNIA 94561		
SALESPERSON: JEFF STOCKTON CUSTOMER CONTACT: XXXXXX		
NAME / DATE		

© COPYRIGHT 2021

This drawing was created to assist you in visualizing our proposal. The original ideas herein are the property of Sign Designs. Permission to copy or revise this drawing can only be obtained thru a written agreement w/ Sign Designs. See your sales representative or call Sign Designs.

By signing this drawing document, I understand that I am not obligated to purchase this project, notwithstanding, the above artwork cannot be submitted for pricing, duplication and/or manufacturing to another sign company, architectural company or other business entity for the purpose or intent of manufacturing or for use as intellectual property, such as, but not limited to, a company logo, unless the represented logo was provided to Sign Designs by the customer and input into this drawing document by a Sign Designs employee.

I OF 5

This sign is intended to be installed in accordance with the requirements of ARTICLE 600 of the national electrical code &/or other applicable codes. this includes proper grounding & bonding of the sign. The location of the disconnect switch after installation shall comply w/ ARTICLE 600.6(A)(1) of the National Electrical Code. All measures shown in this drawing are nominal until the "NOT FOR PRODUCTION" is removed



NOT FOR PRODUCTION

09.30.21 R9 VT: REVISE SIGN A TO SHOW 8'-0" OAH C-45 AND C-32 MONUMENT OPTIONS PER JEFF STOCKTON, NO OTHER CHANGES. 08.25.21 R8 VT: MOVE SIGN D1 TO OTHER END OF CANOPY ON SITE MAP AND PHOTO RENDERING, UPDATE PHOTO FOR SIGN A, ALL PER STEVE LOCKE/JEFF STOCKTON, NO OTHER CHANGES. 10.11.21 R11 VT: ADD SIGN A SIGHT TRIANGLE ZOOM IN TO SITE MAP PER JEFF STOCKTON, NO OTHER CHANGES. 10.01.21 R10 VT: ADD STONE TO SIGN A BASE FOR BOTH OPTIONS PER JEFF STOCKTON, NO OTHER CHANGES. 07.27.21 R5 VT: ADD SITE MAP W/ FRONTAGES, ADD CALLOUTS TO SIGN A, ADD SIGN B "THE STORE" SIGN FROM JOB #210769, ADD SIGN C "THE CAR WASH" SIGN, ALL PER JEFF STOCKTON. 06.23.21 R4 VT: REVISE SIGN A CONCEPT PER JEFF STOCKTON/CUSTOMER. 06.23.21 R3 VT: REVISE SIGN A CONCEPT PER JEFF STOCKTON/CUSTOMER. 06.07.21 R2 VT: REVISE SIGN A CONCEPT PER JEFF STOCKTON/CUSTOMER. 05.17.21 R1 VT: SHOW OPTIONS FOR 20' OAH PYLON SIGNS W/ C-45 COMPONENTS AND OPTION FOR EMC FACES ALL PER JEFF STOCKTON.

201002 RII / 2 OF 5



NOTICE TO THE CUSTOMER

Note: The colors depicted on this rendering may not match actual colors used on the finished display. Please refer to the detail drawing for the approved color specifications. Note: The cost of providing electrical wiring to the sign area, all required permits and all special inspections are not included in this sign proposal. Note: The proportion of signs shown on building & landscape area photos is an approximate representation.

CUSTOMER APPROVAL

ACCEPTED W/ NO CHANGES ACCEPTED W/ CHANGES AS NOTED
 REVISE AS NOTED AND RESUBMIT

BY _____ CUSTOMER BY _____ LANDLORD
DATE _____ DATE _____

DATE	BY	DATE	BY
12.10.20	VT	10.01.21	VT
05.17.21	VT	10.11.21	VT
06.07.21	VT		
06.23.21	VT		
06.23.21	VT		
07.27.21	VT		
07.29.21	VT		
08.18.21	VT		
08.25.21	VT		
09.30.21	VT		

COMPANY OR JOB NAME / JOB DESCRIPTION

201002 RII

CHEVRON POLE SIGN

ADDRESS: **5433 NEROLY ROAD OAKLEY CALIFORNIA 94561**

SALESPERSON: **JEFF STOCKTON** CUSTOMER CONTACT: **XXXXXX**

© COPYRIGHT 2021

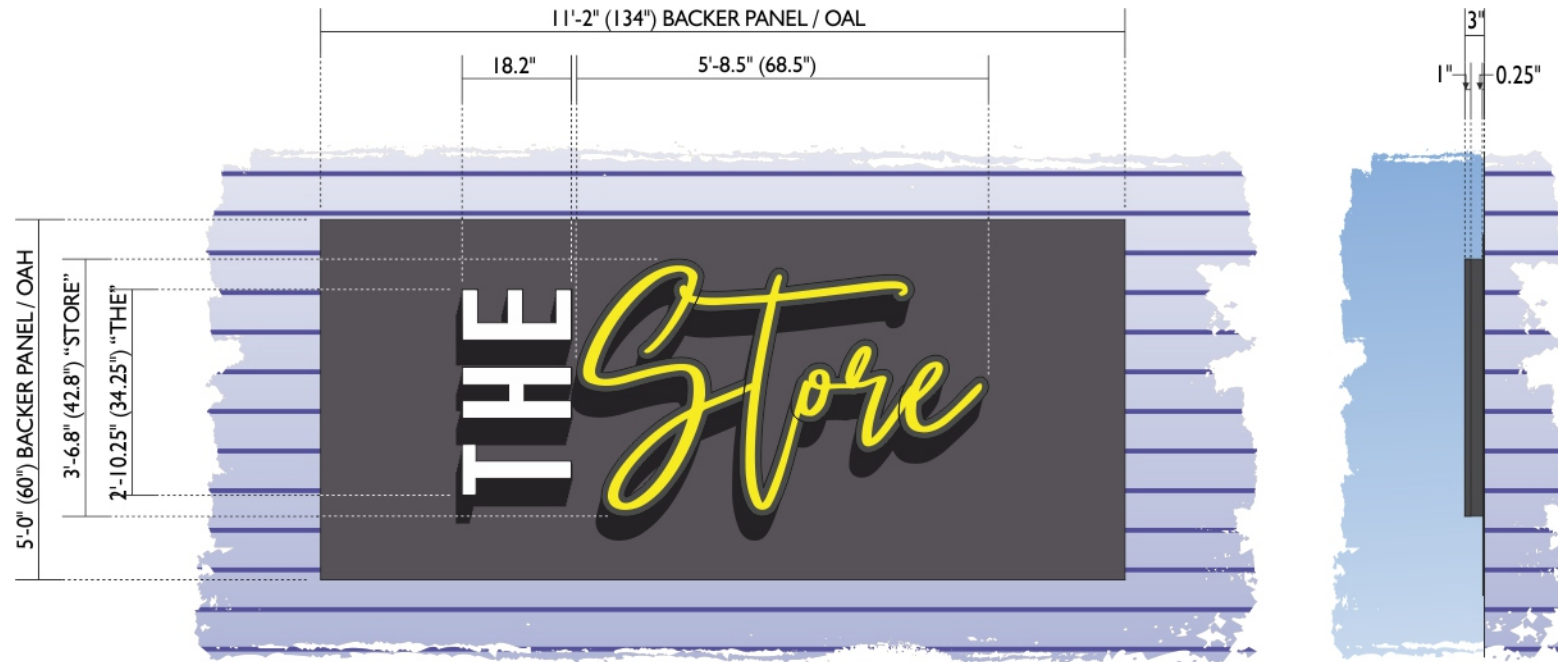
This drawing was created to assist you in visualizing our proposal. The original ideas herein are the property of Sign Designs. Permission to copy or revise this drawing can only be obtained thru a written agreement w/ Sign Designs. See your sales representative or call Sign Designs.

By signing this drawing document, I understand that I am not obligated to purchase this project, notwithstanding, the above artwork cannot be submitted for pricing, duplication and/or manufacturing to another sign company, architectural company or other business entity for the purpose or intent of manufacturing or for use as intellectual property, such as, but not limited to, a company logo, unless the represented logo was provided to Sign Designs by the customer and input into this drawing document by a Sign Designs employee.

NAME / DATE

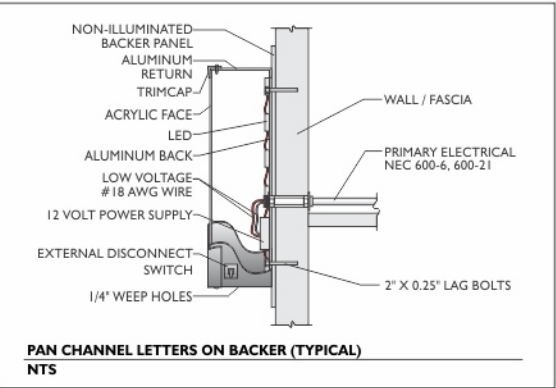
2 OF 5

This sign is intended to be installed in accordance with the requirements of ARTICLE 600 of the national electrical code &/or other applicable codes. this includes proper grounding & bonding of the sign. The location of the disconnect switch after installation shall comply w/ ARTICLE 600.6(A)(1) of the National Electrical Code. All measures shown in this drawing are nominal until the "NOT FOR PRODUCTION" is removed



SIGN B: ILLUMINATED PAN CHANNEL LETTERS ON BACKER PANEL
FACES: 0.188" WHITE ACRYLIC W/ FIRST SURFACE VINYL DECORATION **VINYL:** 3630-69 DURONODIC, 3630-115 LIGHT LEMON YELLOW
STROKE: 3.4", 3.75" **"STORE" VINYL REVEAL:** 1" **RETURNS:** 3" DEEP PRE PAINTED BLACK ALUM **TRIM CAP:** 1" BLACK
LETTERBACKS: PRE PAINTED WHITE ALUM **ILLUMINATION:** WHITE LED **BACKER PANEL:** 0.25" THICK ALUM
FINISH: (BACKER PANEL) PAINTED TO MATCH 3630-69 DURONODIC, SATIN, NO TEXTURE
MOUNTING: LETTERS STUD MOUNTED TO BACKER PANEL (USE SPACERS TO ALLOW FOR DRAINAGE)
 SIGN STUD MOUNTED FLUSH TO WALL
NOTE: "CAR WASH" SCRIPT COPY MAY NEED TO BE FABRICATED AS SEVERAL PARTS.
 PRODUCTION/LETTER FAB MAY REQUIRE DESIGN TO BE ALTERED FOR BEST FABRICATION. DESIGN WILL ASSIST AS NEEDED
WALL TYPE: _____ **REMOVAL:** _____
NOTE: THERE HAS NOT BEEN AN OFFICIAL SURVEY AS OF 0727.21

SCOPE OF WORK: FABRICATE AND INSTALL (1) S/F ILLUMINATED PAN CHANNEL LETTERS ON BACKER PANEL WALL SIGN



SIGN B: ILLUMINATED PAN CHANNEL LETTERS ON BACKER PANEL
 0.375" = 1'-0" QTY: (1) / 55.8 SQ. FT.



C-STORE NORTH ELEVATION
 SCALE: NTS

NOT FOR PRODUCTION

09.30.21 R9 VT: REVISE SIGN A TO SHOW 8'-0" OAH C-45 AND C-32 MONUMENT OPTIONS PER JEFF STOCKTON, NO OTHER CHANGES. 08.25.21 R8 VT: MOVE SIGN D1 TO OTHER END OF CANOPY ON SITE MAP AND PHOTO RENDERING, UPDATE PHOTO FOR SIGN A, ALL PER STEVE LOCKE/JEFF STOCKTON, NO OTHER CHANGES. 10.11.21 R11 VT: ADD SIGN A SIGHT TRIANGLE ZOOM IN TO SITE MAP PER JEFF STOCKTON, NO OTHER CHANGES. 10.01.21 R10 VT: ADD STONE TO SIGN A BASE FOR BOTH OPTIONS PER JEFF STOCKTON, NO OTHER CHANGES. 07.27.21 R5 VT: ADD SITE MAP W/ FRONTAGES, ADD CALLOUTS TO SIGN A, ADD SIGN B "THE STORE" SIGN FROM JOB #210769, ADD SIGN C "THE CAR WASH" SIGN, ALL PER JEFF STOCKTON. 06.23.21 R4 VT: REVISE SIGN A CONCEPT PER JEFF STOCKTON/CUSTOMER. 06.23.21 R3 VT: REVISE SIGN A CONCEPT PER JEFF STOCKTON/CUSTOMER. 06.07.21 R2 VT: REVISE SIGN A CONCEPT PER JEFF STOCKTON/CUSTOMER. 05.17.21 R1 VT: SHOW OPTIONS FOR 20' OAH PYLON SIGNS W/ C-45 COMPONENTS AND OPTION FOR EMC FACES ALL PER JEFF STOCKTON.

SD SIGN DESIGNS
 INCORPORATED
 PO Box 4590 | 204 Campus Way Modesto Ca 95350 | O 209.524.4484 | F 209.521.0272 | Ca LIC#268001 | C-45 | Nv Lic#0082570 | C-6

NOTICE TO THE CUSTOMER
 Note: The colors depicted on this rendering may not match actual colors used on the finished display. Please refer to the detail drawing for the approved color specifications. Note: The cost of providing electrical wiring to the sign area, all required permits and all special inspections are not included in this sign proposal. Note: The proportion of signs shown on building & landscape area photos is an approximate representation.

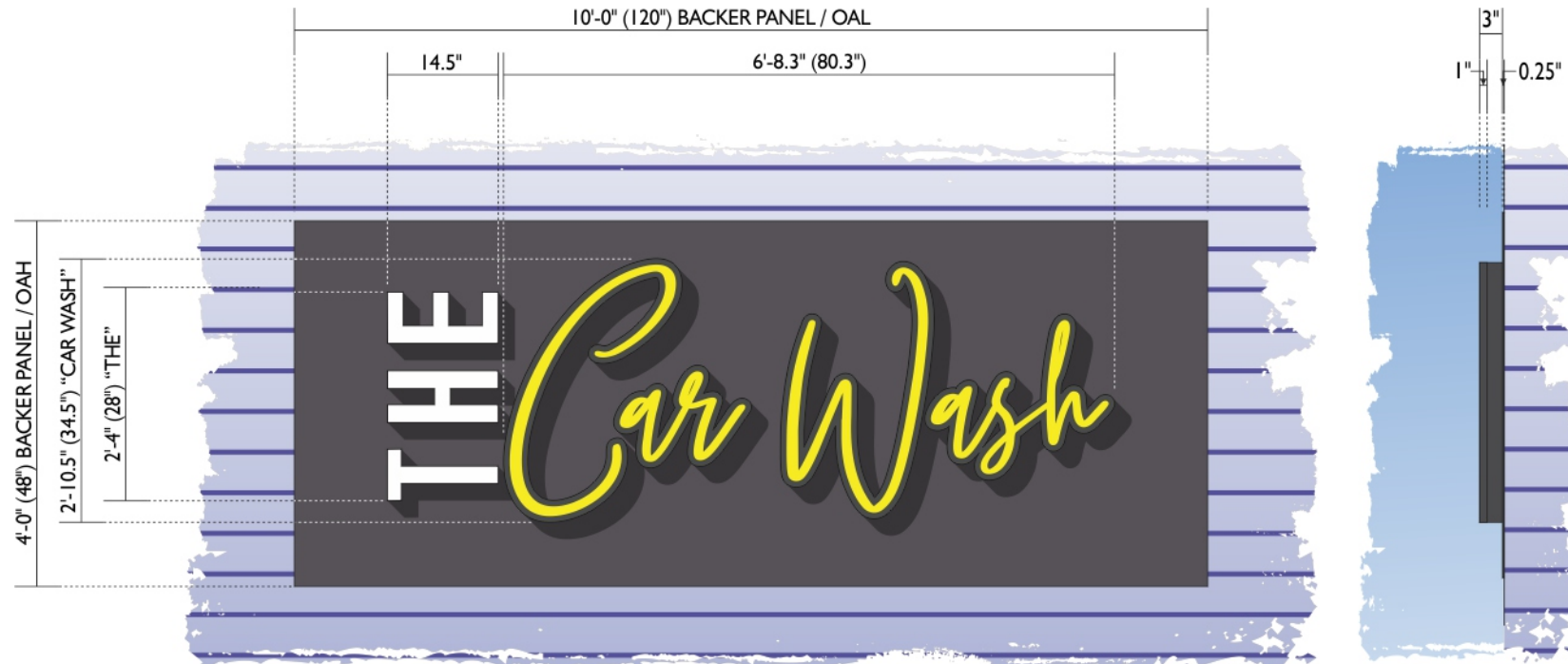
CUSTOMER APPROVAL
 ACCEPTED W/ NO CHANGES ACCEPTED W/ CHANGES AS NOTED
 REVISE AS NOTED AND RESUBMIT

BY CUSTOMER BY LANDLORD
 DATE _____ DATE _____

COPYRIGHT
 2021 This drawing was created to assist you in visualizing our proposal. The original ideas herein are the property of Sign Designs Permission to copy or revise this drawing can only be obtained thru a written agreement w/ Sign Designs. See your sales representative or call Sign Designs.

DATE	BY	DATE	BY	COMPANY OR JOB NAME / JOB DESCRIPTION	201002 RII
12.10.20	VT	10.01.21	VT	CHEVRON POLE SIGN	
05.17.21	VT	10.11.21	VT		
06.07.21	VT				
06.23.21	VT				
06.23.21	VT				
07.27.21	VT				
07.29.21	VT				
08.18.21	VT				
08.25.21	VT				
09.30.21	VT				
ADDRESS: 5433 NEROLY ROAD OAKLEY CALIFORNIA 94561				SALESPERSON: JEFF STOCKTON	
CUSTOMER CONTACT: XXXXXX				NAME / DATE	

This sign is intended to be installed in accordance with the requirements of ARTICLE 600 of the national electrical code &/or other applicable codes. this includes proper grounding & bonding of the sign. The location of the disconnect switch after installation shall comply w/ ARTICLE 600.6(A)(1) of the National Electrical Code. All measures shown in this drawing are nominal until the "NOT FOR PRODUCTION" is removed

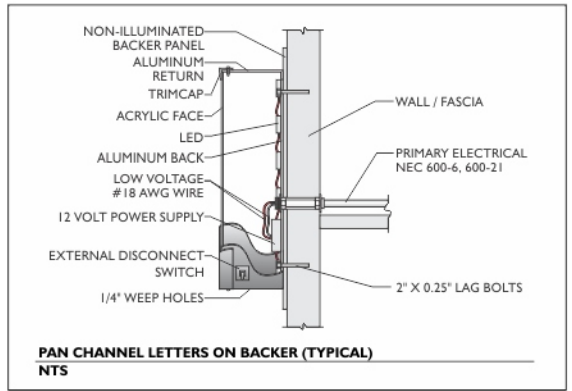


SIGN C: ILLUMINATED PAN CHANNEL LETTERS ON BACKER PANEL
0.5" = 1'-0"

QTY: (1) / 40 SQ. FT.

SIGN C: ILLUMINATED PAN CHANNEL LETTERS ON BACKER PANEL
FACES: 0.188" WHITE ACRYLIC W/ FIRST SURFACE VINYL DECORATION
VINYL: 3630-69 DURONODIC, 3630-115 LIGHT LEMON YELLOW
STROKE: 3.4", 3.75" "STORE" VINYL REVEAL: 1" RETURNS: 3" DEEP PRE PAINTED BLACK ALUM TRIM CAP: 1" BLACK
LETTERBACKS: PRE PAINTED WHITE ALUM ILLUMINATION: WHITE LED BACKER PANEL: 0.25" THICK ALUM
FINISH: (BACKER PANEL) PAINTED TO MATCH 3630-69 DURONODIC, SATIN, NO TEXTURE
MOUNTING: LETTERS STUD MOUNTED TO BACKER PANEL (USE SPACERS TO ALLOW FOR DRAINAGE)
 SIGN STUD MOUNTED FLUSH TO WALL
NOTE: "CAR WASH" SCRIPT COPY MAY NEED TO BE FABRICATED AS SEVERAL PARTS.
 PRODUCTION/LETTER FAB MAY REQUIRE DESIGN TO BE ALTERED FOR BEST FABRICATION. DESIGN WILL ASSIST AS NEEDED
WALL TYPE: _____ **REMOVAL:** _____
NOTE: THERE HAS NOT BEEN AN OFFICIAL SURVEY AS OF 0727.21

SCOPE OF WORK: FABRICATE AND INSTALL (1) S/F ILLUMINATED PAN CHANNEL LETTERS ON BACKER PANEL WALL SIGN



PAN CHANNEL LETTERS ON BACKER (TYPICAL)
NTS



CAR WASH / EAST ELEVATION / NTS

NOT FOR PRODUCTION

09.30.21 R9 VT: REVISE SIGN A TO SHOW 8'-0" OAH C-45 AND C-32 MONUMENT OPTIONS PER JEFF STOCKTON, NO OTHER CHANGES. 08.25.21 R8 VT: MOVE SIGN D1 TO OTHER END OF CANOPY ON SITE MAP AND PHOTO RENDERING, UPDATE PHOTO FOR SIGN A, ALL PER STEVE LOCKE/JEFF STOCKTON, NO OTHER CHANGES. 10.11.21 R11 VT: ADD SIGN A SIGHT TRIANGLE ZOOM IN TO SITE MAP PER JEFF STOCKTON, NO OTHER CHANGES. 10.01.21 R10 VT: ADD STONE TO SIGN A BASE FOR BOTH OPTIONS PER JEFF STOCKTON, NO OTHER CHANGES. 07.27.21 R5 VT: ADD SITE MAP W/ FRONTAGES, ADD CALLOUTS TO SIGN A, ADD SIGN B "THE STORE" SIGN FROM JOB #210769, ADD SIGN C "THE CAR WASH" SIGN, ALL PER JEFF STOCKTON. 06.23.21 R3 VT: REVISE SIGN A CONCEPT PER JEFF STOCKTON/CUSTOMER. 06.23.21 R3 VT: REVISE SIGN A CONCEPT PER JEFF STOCKTON/CUSTOMER. 06.07.21 R2 VT: REVISE SIGN A CONCEPT PER JEFF STOCKTON/CUSTOMER. 05.17.21 R1 VT: SHOW OPTIONS FOR 20' OAH PYLON SIGNS W/ C-45 COMPONENTS AND OPTION FOR EMC FACES ALL PER JEFF STOCKTON.

SD SIGN DESIGNS
 INCORPORATED
 PO Box 4590 | 204 Campus Way Modesto Ca 95350 | O 209.524.4484 | F 209.521.0272 | Ca LIC#268001 | C-45 | Nv Lic#0082570 | C-6

MEMBER
SA California Sign Association
WSA Western Sign Association
ISA INTERNATIONAL SIGN ASSOCIATION

NOTICE TO THE CUSTOMER
 Note: The colors depicted on this rendering may not match actual colors used on the finished display. Please refer to the detail drawing for the approved color specifications. Note: The cost of providing electrical wiring to the sign area, all required permits and all special inspections are not included in this sign proposal. Note: The proportion of signs shown on building & landscape area photos is an approximate representation.

CUSTOMER APPROVAL

ACCEPTED W/ NO CHANGES ACCEPTED W/ CHANGES AS NOTED
 REVISE AS NOTED AND RESUBMIT

BY _____ CUSTOMER BY _____ LANDLORD
 DATE _____ DATE _____

DATE	BY	DATE	BY
12.10.20	VT	10.01.21	VT
05.17.21	VT	10.11.21	VT
06.07.21	VT		
06.23.21	VT		
06.23.21	VT		
07.27.21	VT		
07.29.21	VT		
08.18.21	VT		
08.25.21	VT		
09.30.21	VT		

COMPANY OR JOB NAME / JOB DESCRIPTION
201002 RII

CHEVRON POLE SIGN

ADDRESS: **5433 NEROLY ROAD OAKLEY CALIFORNIA 94561**

SALESPERSON: **JEFF STOCKTON** CUSTOMER CONTACT: **XXXXXX**

© COPYRIGHT 2021

This drawing was created to assist you in visualizing our proposal. The original ideas herein are the property of Sign Designs. Permission to copy or revise this drawing can only be obtained thru a written agreement w/ Sign Designs. See your sales representative or call Sign Designs.

By signing this drawing document, I understand that I am not obligated to purchase this project, notwithstanding, the above artwork cannot be submitted for pricing, duplication and/or manufacturing to another sign company, architectural company or other business entity for the purpose or intent of manufacturing or for use as intellectual property, such as, but not limited to, a company logo, unless the represented logo was provided to Sign Designs by the customer and input into this drawing document by a Sign Designs employee.

4 OF 5

This sign is intended to be installed in accordance with the requirements of ARTICLE 600 of the national electrical code &/or other applicable codes. this includes proper grounding & bonding of the sign. The location of the disconnect switch after installation shall comply w/ ARTICLE 600.6(A)(1) of the National Electrical Code. All measures shown in this drawing are nominal until the "NOT FOR PRODUCTION" is removed



SIGN D1

SIGNS D1 & D2: CHEVRON PAN CHANNEL WORDMARK

QTY: (2) / 21.8 SQ. FT. (EACH)

0.5" = 1'-0"

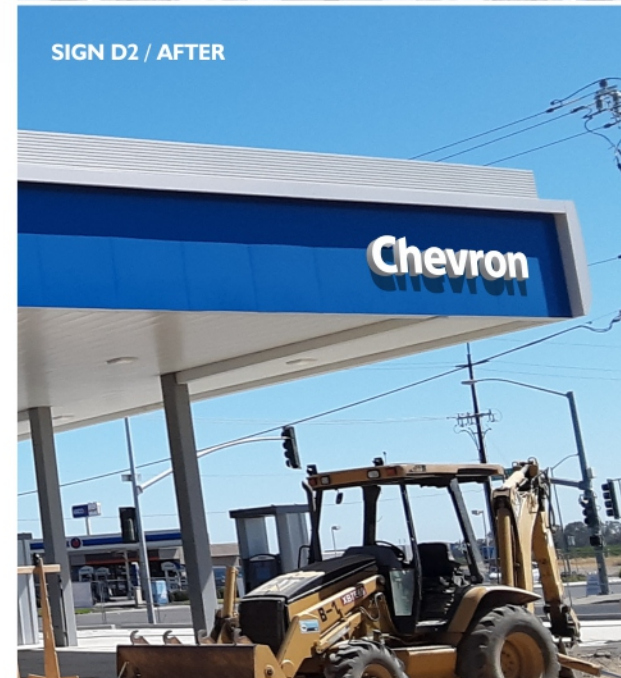
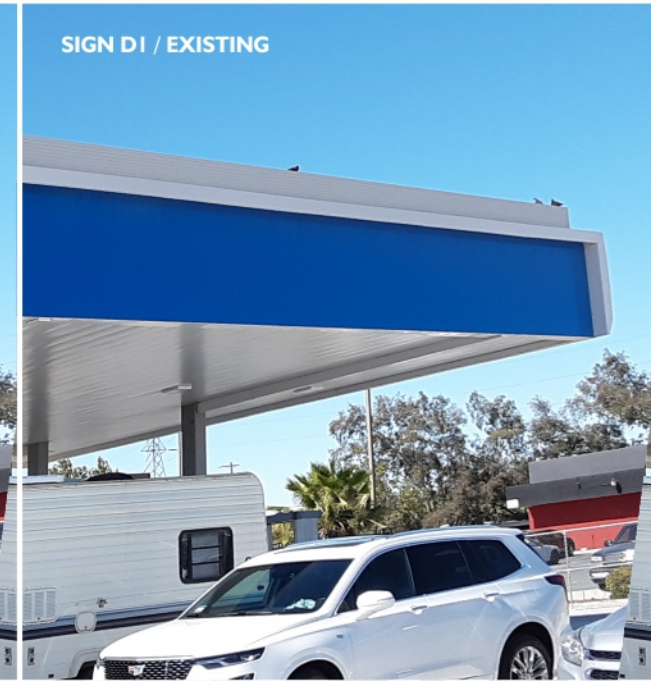
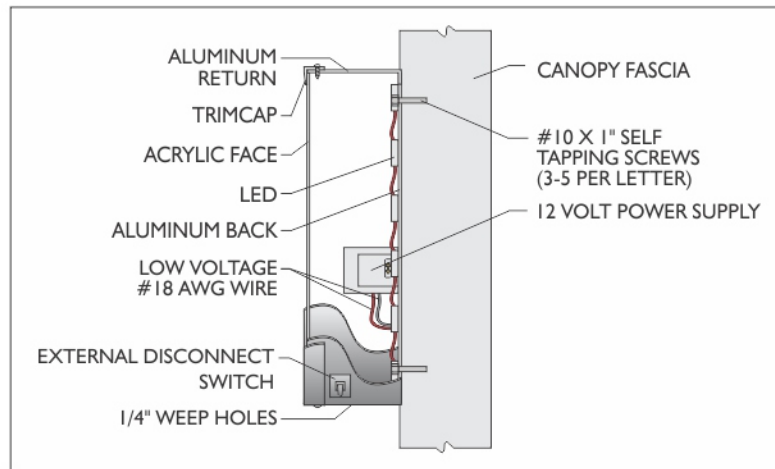
PAN CHANNEL DISPLAY: CHEVRON STANDARD PAN CHANNEL 24" WORDMARK **MOUNTING:** (4) #10 X 1" TEK SCREWS PER LETTER

STRUCTURE FACE: OVERSIZED CHEVRON CANOPY (NON STANDARD HEIGHT)

REMOVAL:

NOTE: AS OF MM.DD.YY THERE HAS NOT BEEN AN OFFICIAL SURVEY

SCOPE OF WORK: RECEIVE AND INSTALL (2) ILLUMINATED PAN CHANNEL CANOPY SIGNS



NOT FOR PRODUCTION

09.30.21 R9 VT: REVISE SIGN A TO SHOW 8'-0" OAH C-45 AND C-32 MONUMENT OPTIONS PER JEFF STOCKTON, NO OTHER CHANGES. 08.25.21 R8 VT: MOVE SIGN D1 TO OTHER END OF CANOPY ON SITE MAP AND PHOTO RENDERING, UPDATE PHOTO FOR SIGN A, ALL PER STEVE LOCKE/JEFF STOCKTON, NO OTHER CHANGES. 10.11.21 R11 VT: ADD SIGN A SIGHT TRIANGLE ZOOM IN TO SITE MAP PER JEFF STOCKTON, NO OTHER CHANGES. 10.01.21 R10 VT: ADD STONE TO SIGN A BASE FOR BOTH OPTIONS PER JEFF STOCKTON, NO OTHER CHANGES. 07.27.21 R5 VT: ADD SITE MAP W/ FRONTAGES, ADD CALLOUTS TO SIGN A, ADD SIGN B "THE STORE" SIGN FROM JOB #210769, ADD SIGN C "THE CAR WASH" SIGN, ALL PER JEFF STOCKTON. 06.23.21 R4 VT: REVISE SIGN A CONCEPT PER JEFF STOCKTON/CUSTOMER. 06.23.21 R3 VT: REVISE SIGN A CONCEPT PER JEFF STOCKTON/CUSTOMER. 06.07.21 R2 VT: REVISE SIGN A CONCEPT PER JEFF STOCKTON/CUSTOMER. 05.17.21 R1 VT: SHOW OPTIONS FOR 20' OAH PYLON SIGNS W/ C-45 COMPONENTS AND OPTION FOR EMC FACES ALL PER JEFF STOCKTON. 12.10.20 VT: 10.01.21 VT: 05.17.21 VT: 10.11.21 VT: 06.07.21 VT: 06.23.21 VT: 06.23.21 VT: 07.27.21 VT: 07.29.21 VT: 08.18.21 VT: 08.25.21 VT: 09.30.21 VT:

201002 RII / 5 OF 5

MEMBER

NOTICE TO THE CUSTOMER
 Note: The colors depicted on this rendering may not match actual colors used on the finished display. Please refer to the detail drawing for the approved color specifications. Note: The cost of providing electrical wiring to the sign area, all required permits and all special inspections are not included in this sign proposal. Note: The proportion of signs shown on building & landscape area photos is an approximate representation.

CUSTOMER APPROVAL

ACCEPTED W/ NO CHANGES ACCEPTED W/ CHANGES AS NOTED
 REVISE AS NOTED AND RESUBMIT

BY CUSTOMER BY LANDLORD
 DATE _____ DATE _____

DATE	BY	DATE	BY
12.10.20	VT	10.01.21	VT
05.17.21	VT	10.11.21	VT
06.07.21	VT		
06.23.21	VT		
06.23.21	VT		
07.27.21	VT		
07.29.21	VT		
08.18.21	VT		
08.25.21	VT		
09.30.21	VT		

COMPANY OR JOB NAME / JOB DESCRIPTION **201002 RII**

CHEVRON POLE SIGN

ADDRESS: **5433 NEROLY ROAD OAKLEY CALIFORNIA 94561**

SALESPERSON: **JEFF STOCKTON** CUSTOMER CONTACT: **XXXXXX**

NAME / DATE

5 OF 5