

City of Oakley
ADDENDUM NO. 1 to contract documents for
OAKLEY COMMUNITY DOG PARK – PHASE 1 PARKING LOT
PROJECT, CIP # 197

BID OPENING DATE: June 29, 2017 2:00 PM

Notice is hereby given that the following clarifications and revisions are made to the above referenced contract documents:

Updates to the Plans and Specifications:

PLANS

Sheet C6.0

- o Trench work for pull box and utility connections

Sheet E1.0 & E2.0

- o Electrical single phase updated to 3 phase converter for the PG&E electrical connection, as shown on pages E1.0-2.0. The service is shown on the drawing at 200 amp 120/208 volts three phase four wire, which will be able to handle any changes in the hp rating of the motor.

SPECIFICATIONS

Part I, page 4

- o Unit Price Schedule - Updated Earthwork quantity

Part III, page 14 & 15

- o Storm Drain marker to be installed on every inlet.
- o Payment for inlets shall include storm drain marker and installation.

Part III, page 23

- o Clarification on parking lot lights
- o Measure of payment for Electrical as lump sum

All bidders shall acknowledge receipt and acceptance of Addendum No. 1 by signing in the space provided at the end of this Addendum and submitting the signed addendum with their proposal.



Billilee Saengchalern
Associate Engineer
June 23, 2017

Contractor Signature

Date

Company Name

A. UNIT PRICE SCHEDULE

The undersigned, Pursuant to and in compliance with your Notice to Contractors and the Contract Documents relating to the **OAKLEY COMMUNITY DOG PARK PHASE 1 PARKING LOT PROJECT**, including Addenda No. _____, _____, _____, as Bidder, declares that the only persons or parties interested in this proposal as principals are those named herein; that this proposal is made without collusion with any other person, firm, or corporation; that he has carefully examined the location of the proposed work, the annexed proposed form of contract, and the plans therein referred to; and he proposes and agrees if this proposal is accepted that he will contract with the City of Oakley in the form of the scope of the contract annexed hereto, to provide all necessary machinery, tools, apparatus, and other means of construction, and to do all the work and furnish all the materials specified in the contract, in the manner and time therein prescribed, and according to the requirements of the Engineer as therein set forth, and that he will take in full payment therefore the following item prices, to wit:

BID ITEMS

ITEM NO.	SPEC SEC	DESCRIPTION OF ITEM	EST. QTY	UNIT OF MEASURE	UNIT PRICE	TOTAL
1.	10-1.02	Mobilization	1	LS		
2.	10-1.03	Traffic Control System	1	LS		
3.	10-1.04	Clearing and Grubbing	1	LS		
4.	10-1.05	Storm Water Pollution Prevention Plan	1	LS		
5.	10-1.08	Hot Mix Asphalt (HMA)	176	TN		
6.	10-1.10	4" Perforated Pipe	52	LF		
7.	10-1.10	8" SD Pipe (PVC)	273	LF		
8.	10-1.10	12" SD Pipe (HDPE)	475	LF		
9.	10-1.10	Type I Inlet	2	EA		
10.	10-1.10	Type III Inlet	5	EA		
11.	10-1.11	4" SS Pipe (PVC)	70	LF		
12.	10-1.12	Class II AB	200	CY		
13.	10-1.13	Water System	1	LS		
14.	10-1.14	Signing and Striping	1	LS		
15.	10-1.15	Bioretention	1	LS		
16.	10-1.16	Earthwork	1,250	CY		
17.	10-1.17	Electrical	1	LS		
18.	10-1.18	Concrete Pavement	3800	SF		
19.	10-1.18	Concrete Driveway	1	EA		
20.	10-1.18	Concrete Curb/Gutter	134	LF		
21.	10-1.18	Concrete Curb	363	LF		

Total Bid (Items 1-21) \$ _____
(Numbers)

Dollars

(Written)

Tack coat shall be applied to all vertical edges to be paved against including curb faces and gutter lips. The Contractor shall protect concrete surfaces that are not to be paved against from tack coat spray or splash. Any tack coat more than one inch above the paving surface shall be removed by power washing or other means.

MEASUREMENT AND PAYMENT

Full compensation for ASPHALT TACK COAT, includes, but is not limited to, all labor, equipment, and materials required to conform to the provisions of this section shall be considered as included in the prices paid for HOT MIX ASPHALT (HMA) and no separate payment will be made therefor. Additionally, no payment will be made for work, equipment, or materials not covered in these plans and specifications, but necessary to insure a completed project as specified.

10-1.10 STORM DRAINAGE

GENERAL

The work consists of installation of storm drain piping.

MATERIALS

Storm Drain Pipe shall comply with Section 64 Plastic Pipe, for Polyvinyl Chloride Pipe (PVC) SDR 26 pipeline. All PVC pipe shall be joined by compression, solvent welded, thermo-fusion welded or mechanical restrained joints. PVC shall conform to the requirements of ASTM D 3034, SDR 26. Flexible rubber rings for compression type joints for PVC pipe and fittings shall conform to the requirements of ASTM F 477.

PVC fittings shall, at a minimum, conform to the requirements of ASTM D 3034 as they apply to type SDR 26 PVC Sewer Pipe using an Elastomeric Gasket Joint in a bell and spigot assembly system. Rubber sealing gaskets shall meet the requirements of ASTM F 477.

All PVC pipe entering or leaving a concrete structure shall have a rubber sealing gasket, as supplied by the pipe manufacturer, firmly seated perpendicular to the pipe axis, around the pipe banded and cast into the structure base or near the structure wall center as a water stop. Said water stop may also consist of a manhole coupling with rubber sealing rings cast into the structure base.

Catch basins shall be Type I and Type III City Standard Inlets, rim and inverts as noted on the project design drawings. Storm drain marker to be installed on every inlet.

CONSTRUCTION

PVC pipe shall be installed in accordance with the requirements of ASTM D 2321; as specified herein and shown on the plans. Each pipe compression type joint shall be joined with a lock-in rubber ring and a ring groove that is designed to resist displacement during pipe insertion.

The ring and the ring seat inside the bell shall be wiped clean before the gasket is inserted. A thin film of lubricant shall be applied to the exposed surface of the ring and to the outside of the clean pipe end. Lubricant other than that furnished with the pipe shall not be used.

MEASUREMENT AND PAYMENT

The contract prices paid per linear foot for STORM DRAIN PIPE (size as noted) include full compensation for furnishing all labor, materials, tools, equipment, and incidentals for doing all the work involved in installing storm drain pipe, complete in place, as shown on the plans, as specified in these specifications and the Technical Specifications, and as directed by the Engineer.

The contract price paid per each inlet shall include full compensation for furnishing all labor, materials, tools, equipment, bedding, and incidentals for doing all the work involved in placing inlets, as shown on the plans including storm drain markers, as specified in these specifications, and as directed by the Engineer.

10-1.11 SANITARY SEWER

GENERAL

The work consists of installation of sanitary sewer piping.

MATERIALS

Storm Drain Pipe shall comply with Section 64 Plastic Pipe, for Polyvinyl Chloride Pipe (PVC) SDR 26 pipeline. All PVC pipe shall be joined by compression, solvent welded, thermo-fusion welded or mechanical restrained joints. PVC shall conform to the requirements of ASTM D 3034, SDR 26. Flexible rubber rings for compression type joints for PVC pipe and fittings shall conform to the requirements of ASTM F 477.

PVC fittings shall, at a minimum, conform to the requirements of ASTM D 3034 as they apply to type SDR 26 PVC Sewer Pipe using an Elastomeric Gasket Joint in a bell and spigot assembly system. Rubber sealing gaskets shall meet the requirements of ASTM F 477.

Details for lateral installation, cleanout, and backflow preventer/relief valve shall be installed per the Ironhorse Sanitary District Standard Details (adapted from Central Sanitary District).

CONSTRUCTION

PVC pipe shall be installed in accordance with the requirements of ASTM D 2321; as specified herein and shown on the plans. Each pipe compression type joint shall be joined with a lock-in rubber ring and a ring groove that is designed to resist displacement during pipe insertion.

The ring and the ring seat inside the bell shall be wiped clean before the gasket is inserted. A thin film of lubricant shall be applied to the exposed surface of the ring and to the outside of the clean pipe end. Lubricant other than that furnished with the pipe shall not be used.

MEASUREMENT AND PAYMENT

The contract prices paid per linear foot for SANITARY SEWER PIPE (size as noted) include full compensation for furnishing all labor, materials, tools, equipment, and incidentals for doing all the work involved in installing storm drain pipe, complete in place, as shown on the plans, as specified in these specifications and the Technical Specifications, and as directed by the Engineer

Provide uniform levels and slopes between elevations shown on Drawings, and between elevations shown and existing finished grades shown to be maintained. Round abrupt changes in slopes.

Place acceptable material in horizontal lifts not exceeding 8" in loose depth, with each lift extending for entire length and width of each area being filled. Lifts should be compacted to 95% relative compaction.

MEASUREMENT AND PAYMENT

The contract price paid per cubic yard for EARTHWORK shall include full compensation for furnishing all labor, materials, tools, equipment, and incidentals, including subgrade preparation and earthwork, complete in place, as shown on the plans, specified in the Standard Specifications and directed by the Engineer, and no additional compensation will be allowed.

10-1.17 ELECTRICAL

GENERAL

This work shall consist of installing electrical facilities for parking lot lighting, irrigation pedestal, power for future well, and power for future restroom.

MATERIALS

Conduit, pull boxes, lighting (two City Standard E-04), as shown on the project drawings.

MEASUREMENT AND PAYMENT

The contract lump sum price paid per cubic yard for ELECTRICAL shall include full compensation for furnishing all labor, materials, tools, equipment, and incidentals involved with electrical construction, complete in place, as specified in these Technical Specifications and as directed by the Engineer.

10-1.18 CONCRETE

GENERAL

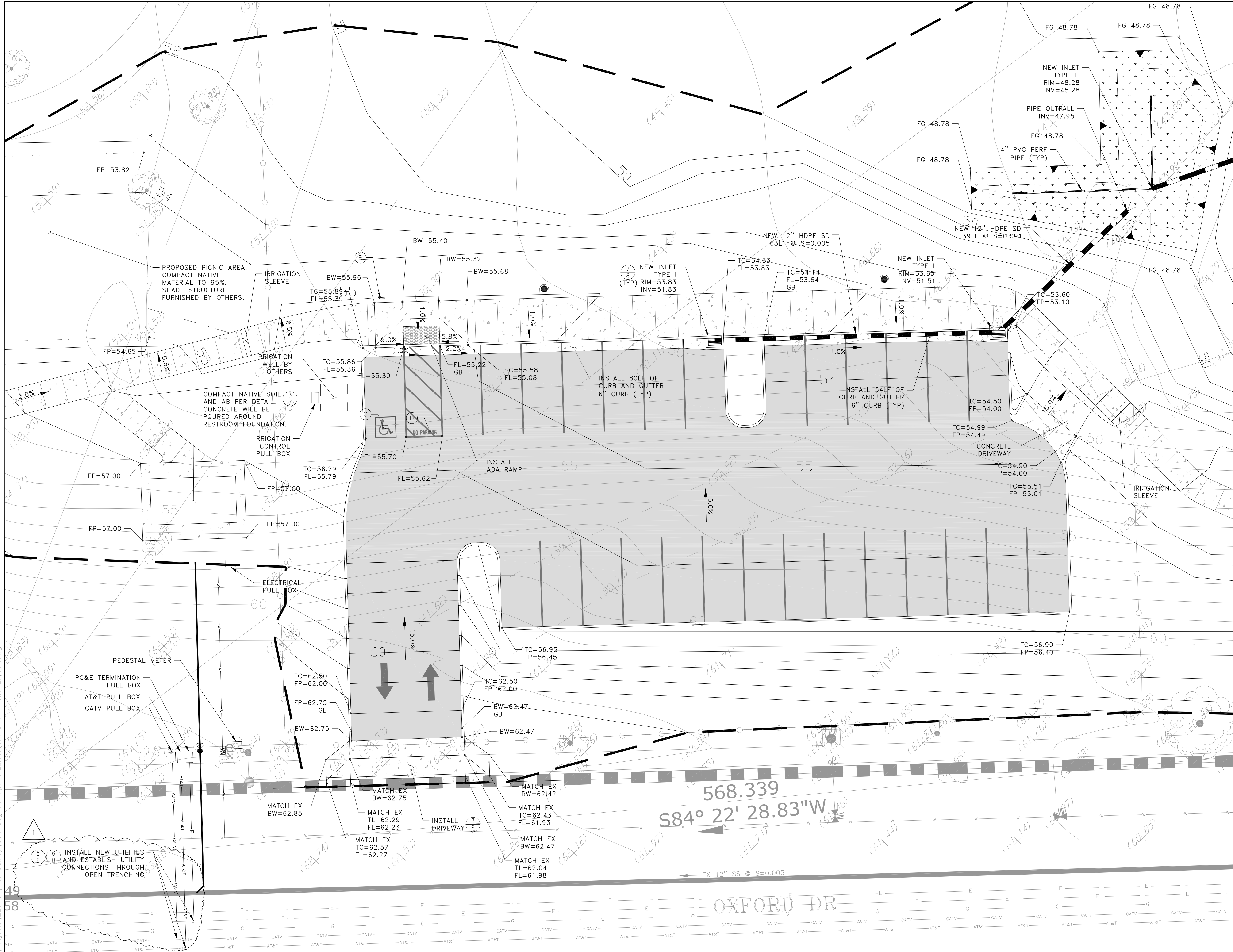
Concrete work shall conform to the provisions in Section 90, "Concrete", of the Standard Specifications and these special provisions.

MATERIALS

Concrete with strength shown on the project drawings and as required by the City of Oakley, Standard Details, whichever is more stringent.

CONSTRUCTION

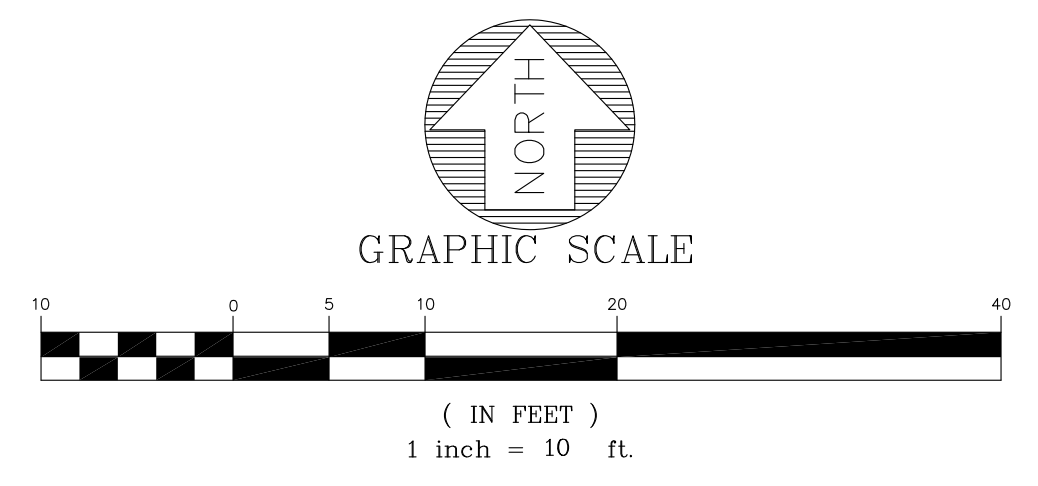
Concrete shall be formed and cast at the elevations and grades shown on the project plans.



LEGEND

- BIORETENTION AREA
- AC PAVEMENT
- CONCRETE
- 50 PROPOSED CONTOUR LINE
- EXTENT OF GRADING IMPROVEMENTS
- TC 50.5±
FL 50.0± GRADING SPOT ELEVATION

- NOTES**
1. ALL PAVEMENT MARKINGS SHALL BE TWO COATS OF PAINT. PAINT SHALL CONFORM TO SECTION 84 OF THE CALTRANS SPECIFICATIONS. STRIPES SHALL BE 4" WIDE WHITE STRIPES, UNLESS OTHERWISE NOTED.
 2. LOCATIONS OF EXISTING UNDERGROUND UTILITIES SHOWN ARE BASED ON AVAILABLE INFORMATION. THERE MAY BE ADDITIONAL EXISTING LINES NOT SHOWN ON THE PLANS. IT IS THE CONTRACTOR'S RESPONSIBILITY TO VERIFY THE ACTUAL LOCATION OF UTILITIES PRIOR TO THE COMMENCEMENT OF WORK. THE CONTRACTOR SHALL CONTACT UNDERGROUND SERVICE ALERT (U.S.A) AT LEAST 48 HOURS IN ADVANCE OF ANY EXCAVATING.
 3. PHYSICAL VERIFICATION OF UTILITY LOCATIONS SHALL BE PERFORMED BY POTHOLING OR HAND DIGGING AND CAREFUL SUBSURFACE PROBING IN CONFORMANCE WITH LAWS AND REGULATIONS. ANY DEVIATIONS FROM LOCATIONS SHOWN ON PLANS SHALL BE BROUGHT TO THE ENGINEER'S ATTENTION BEFORE STARTING CONSTRUCTION.
 4. STREETS AND SIDEWALKS SHALL BE RESTORED PER CITY AND COUNTY OF SAN FRANCISCO STANDARD PLANS AND SPECIFICATIONS AFTER REMOVAL OF UTILITIES.
 5. PROTECT ALL EXISTING UTILITIES AND UTILITY BOXES IN THE PUBLIC RIGHT OF WAY UNLESS SPECIFICALLY DESIGNATED TO BE REMOVED. ALL EXISTING UTILITY BOXES SHALL BE ADJUSTED TO GRADE TO CONFORM WITH PROPOSED IMPROVEMENTS, WHETHER OR NOT SPECIFICALLY CALLED OUT ON THE PLANS.
 6. ACCESSIBLE PARKING, REFER TO SHEET 7 DETAIL 5.
 - (A) INSTALL ISA PARKING SIGN R99C(CA) OR R99(CA)+R99B(CA) "MINIMUM FINE \$250" SIGN (CBC SECTION 11B-502.6).
 - (B) INSTALL ISA PARKING SIGN R99C(CA) WITH R7-8b "VAN ACCESSIBLE" SIGN OR R99(CA)+R99B(CA) "MINIMUM FINE \$250" SIGN AND R7-8b "VAN ACCESSIBLE" SIGN (CBC SECTION 11B-502.6).
 - (C) INSTALL PAVEMENT ISA SYMBOL PER CBC SECTION 11B-502.6
 - (D) THE WORDS "NO PARKING" SHALL BE PAINTED ON THE GROUND WITHIN EACH ACCESS AISLE IN WHITE LETTERS NO LESS THAN 12" HIGH (CBC 11B-502.3).



DATE: 06/22/17
 SCALE:
 DESIGNED: JLB
 DRAWN: JLB
 CHECKED: RJL
 PROJ. ENGR: JLB



144 North San Mateo Drive • San Mateo, CA 94401
 (650)344-9901 • Fax (650)344-9920
 www.freyerlaureta.com

DATE	DESCRIPTION OF REVISIONS	APPD
6/22/17	ADDENDUM 1: TRENCH CALLOUT	

SUBCONSULTANT:



**PARKING LOT STRIPING
 AND GRADING PLAN**

SHEET
C6.0
 JOB NO.
 223004

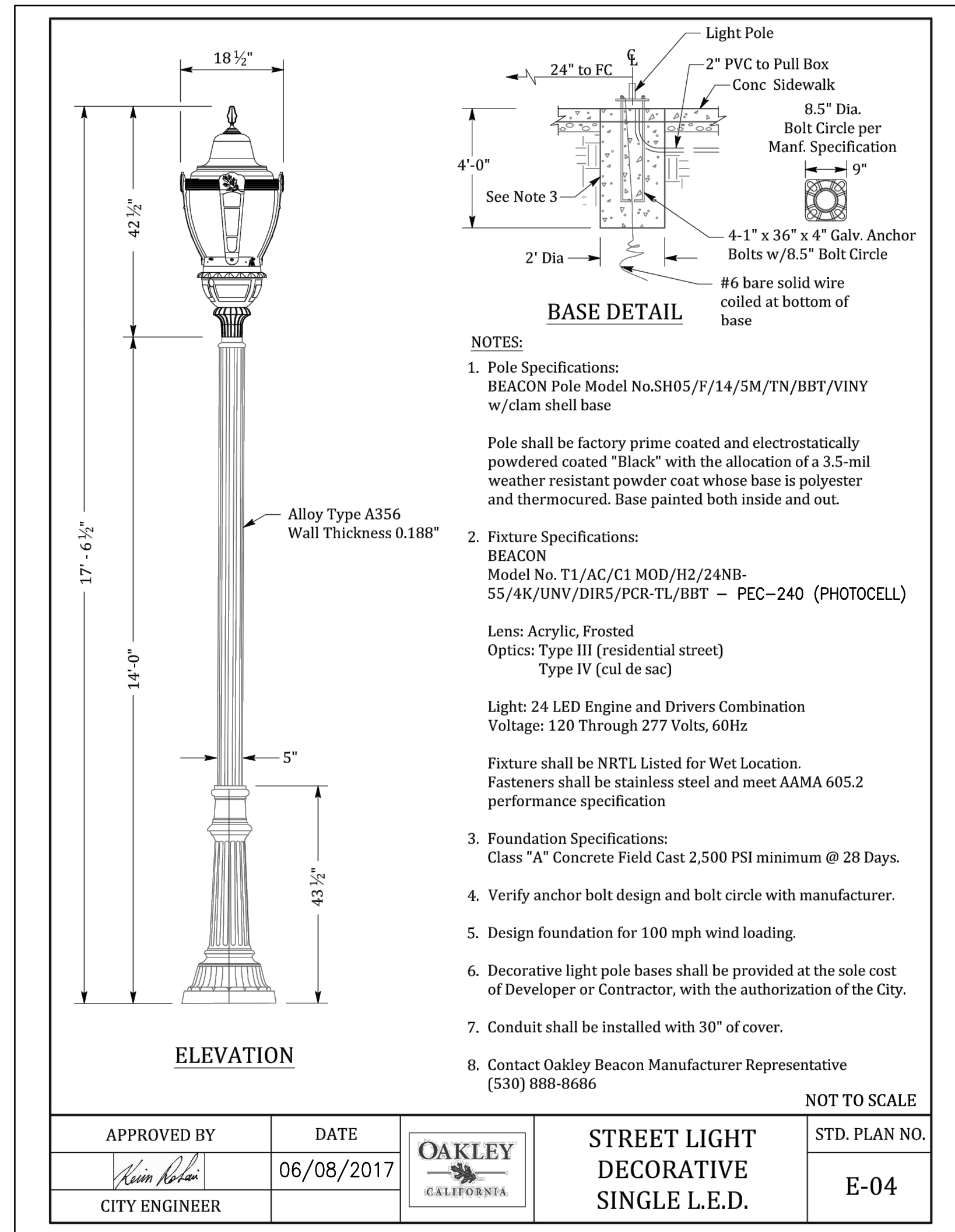
Z:\Projects\223 City of Oakley\004_Dog Park\AAA Latest\Sht 5-6 - Site Layout.dwg

LEGEND

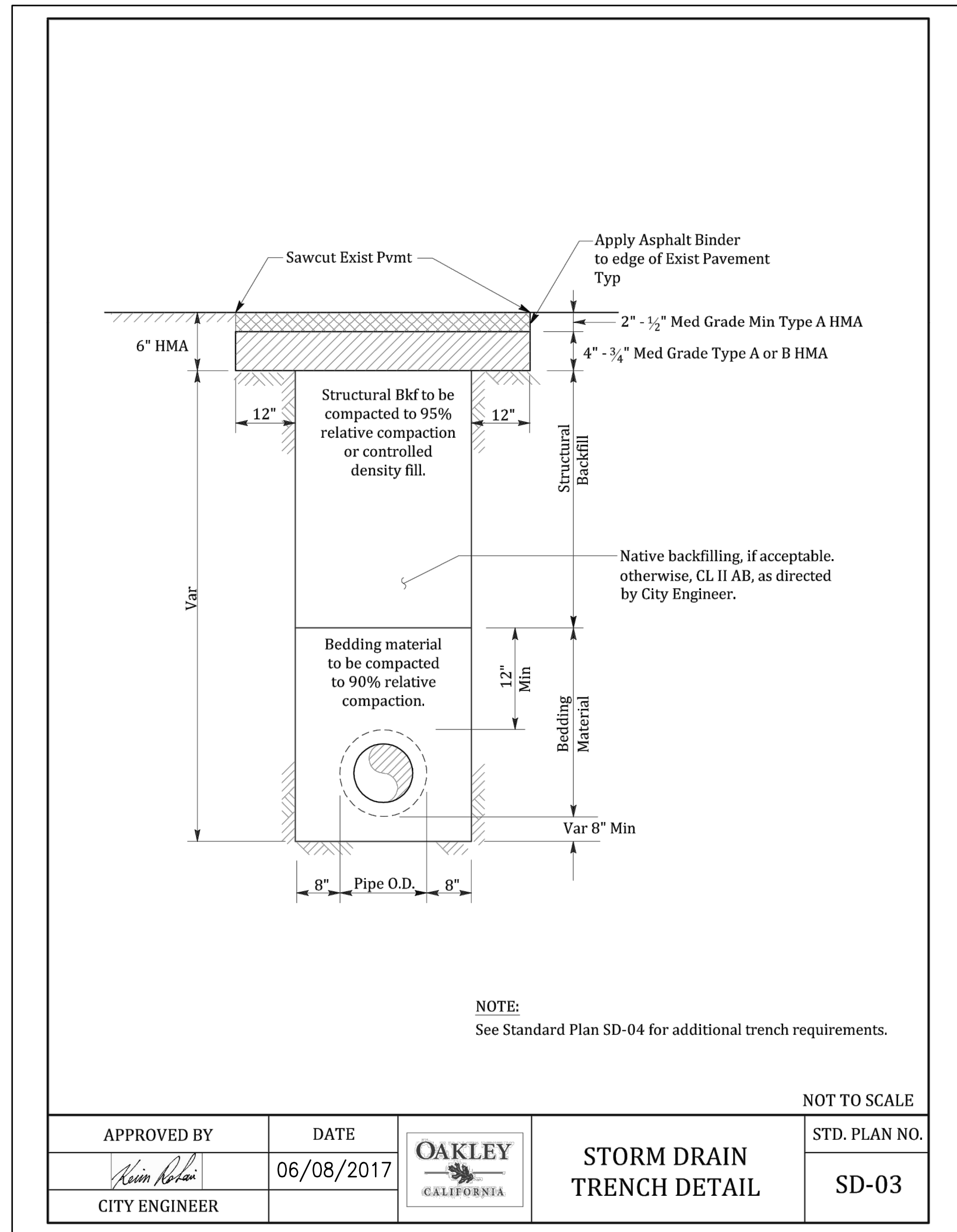
- CIRCUITING**
- A-1 → HOMERUN CONDUIT AND CONDUCTORS TO PANEL "A" CIRCUIT 1; SLASH MARKS INDICATE NUMBER OF CONDUCTORS, 2 #12 AWG + 1 #12 GND, UON
 - CONDUIT CONCEALED IN WALL OR CEILING
 - CONDUIT CONCEALED IN FLOOR OR UNDERGROUND
 - - - CONDUIT EXPOSED
 - CONDUIT UP
 - CONDUIT DOWN
 - CONDUIT STUB AND CAP
 - CONDUIT CONTINUATION
- ELECTRICAL APPARATUS AND EQUIPMENT**
- ⏏ CIRCUIT BREAKER
 - ⊕ GROUND TO EARTH
 - ⚡ SWITCH
 - ▼ UNDERGROUND TERMINATION POINT
 - PB □ **CONCRETE PULLBOX**
 - SERVICE METER PEDESTAL
 - ⊠ **NON-FUSED DISCONNECT**
 - ☆ STREET LIGHT
 - Ⓜ UTILITY METER SOCKET
 - Ⓢ CONTACTOR

ABBREVIATIONS

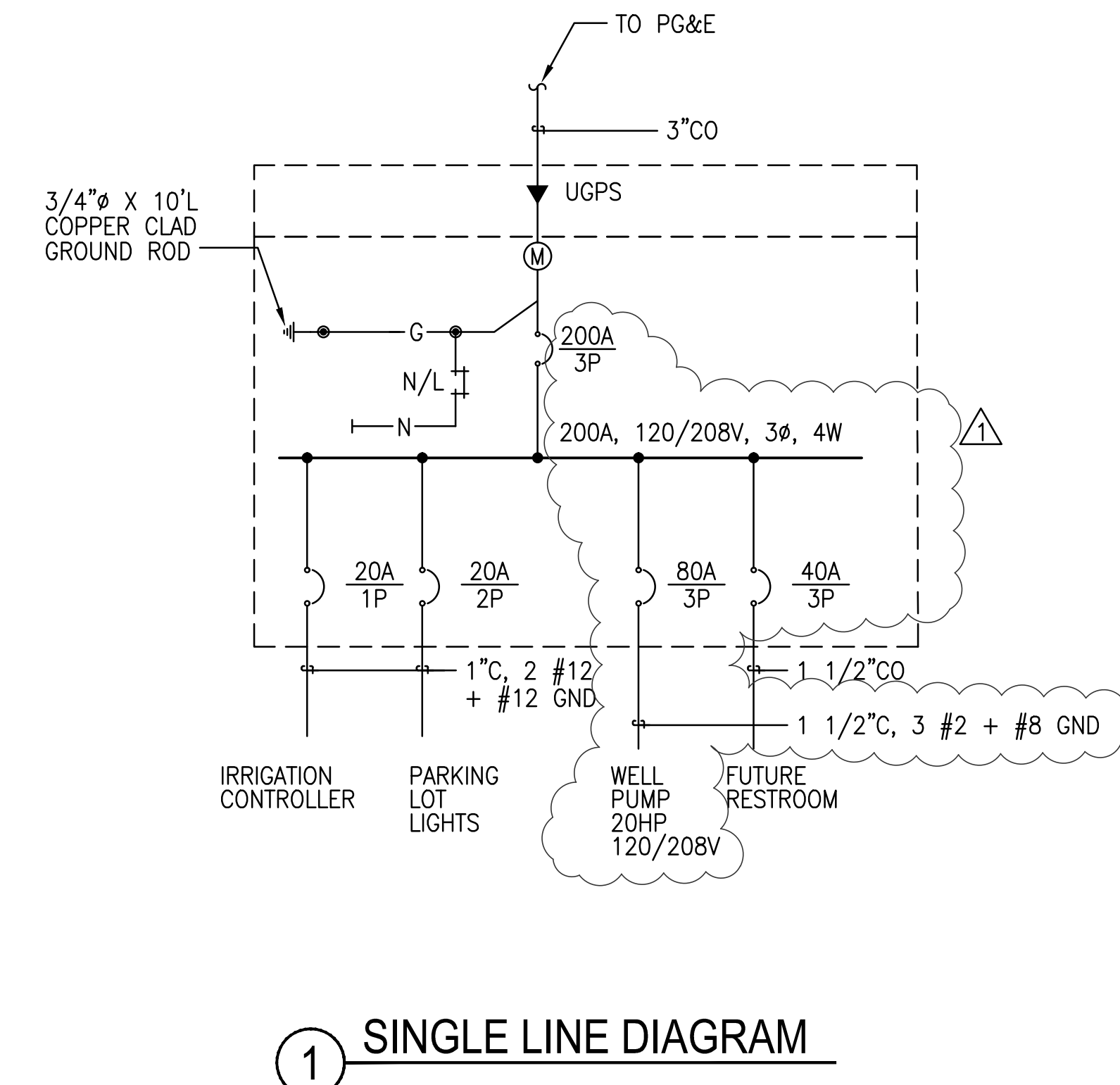
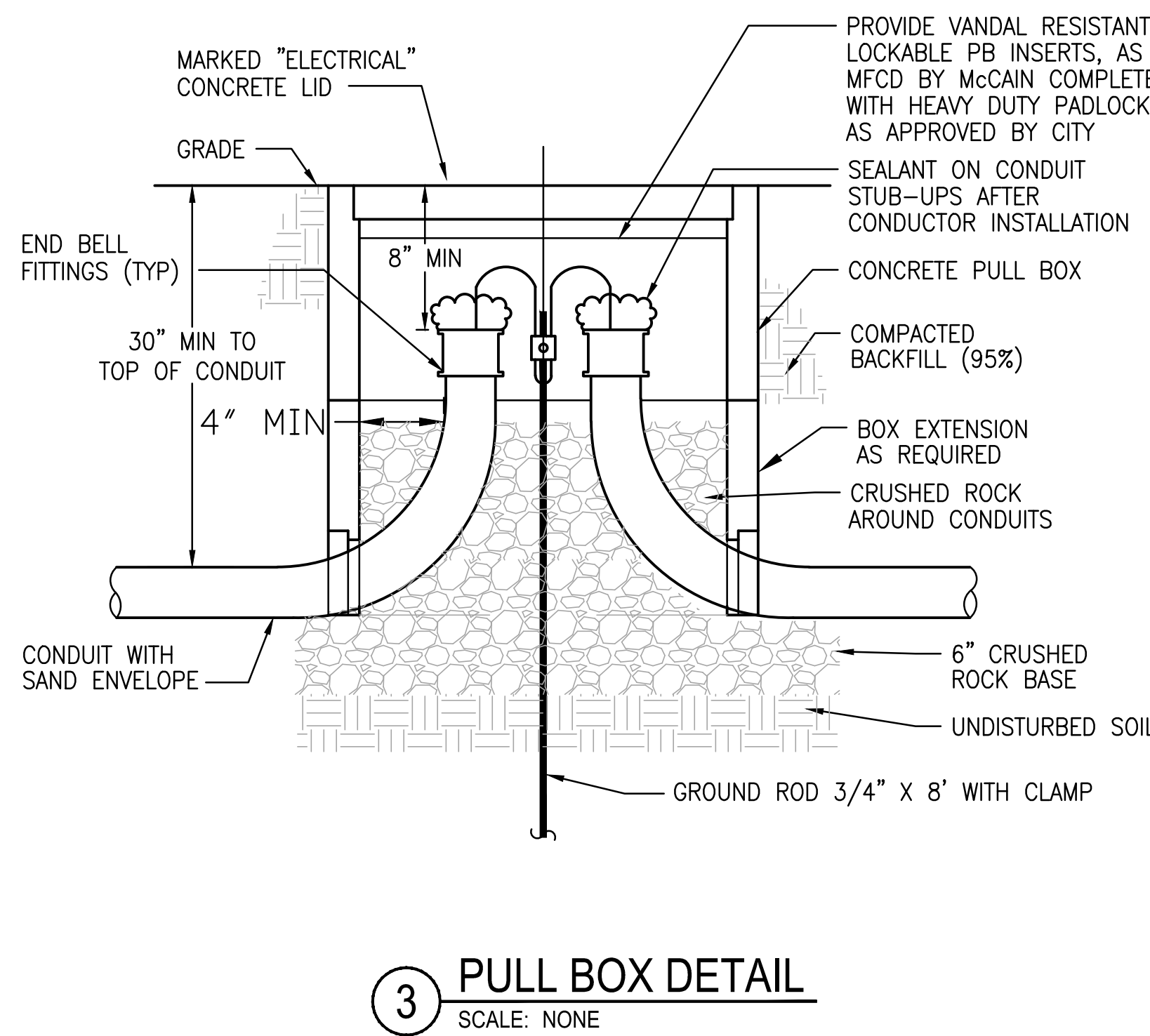
- A AMPERE
- AFG ABOVE FINISHED GRADE
- AWG AMERICAN WIRE GAUGE
- C CONDUIT
- CB CIRCUIT BREAKER
- CO CONDUIT ONLY
- CKT CIRCUIT
- CU COPPER
- (E) EXISTING TO REMAIN
- FLA FULL LOAD AMPERES
- G, GND GROUND
- GFCI GROUND FAULT CIRCUIT INTERRUPTER
- HDPE HIGH DENSITY POLYETHYLENE
- JP JOINT POLE
- LED LIGHT EMITTING DIOD
- LTC LIGHTING
- (N) NEW
- (R) EXISTING TO BE REMOVED
- (RL) RELOCATED EXISTING
- RSC RIGID STEEL CONDUIT
- PB PULLBOX
- PC PHOTOCONTROL
- PCC PORTLAND CEMENT CONCRETE
- POC POINT OF CONNECTION
- PL PEDESTRIAN LIGHT
- SCH SCHEDULE
- SL STREET LIGHT
- SLD SEE LANDSCAPE DRAWINGS
- STL STEEL
- TC TIMECLOCK
- TBD TO BE DETERMINED
- TS TIMESWITCH
- TYP TYPICAL
- UON UNLESS OTHERWISE NOTED
- V VOLT
- WP WATT
- WP WEATHERPROOF
- OHP OVERHEAD PRIMARY
- OHS OVERHEAD SECONDARY



2 LIGHT POLE DETAIL



4 TRENCH DETAIL



V:\\$4001 - Current\4252 - Dewey Park\4252 E1.0.dwg

DATE:	6/22/17	06/22/17	ADDENDUM 1	SUBCONSULTANT:	ZEIGER ENGINEERS, INC. ELECTRICAL CONSULTANTS 478 3RD STREET OAKLAND, CA 94607 TEL (510) 452-9391 FAX (510) 452-0661		LEGEND, SINGLE LINE DIAGRAM AND DETAILS	SHEET	E1.0
SCALE:								JOB NO.	223004
DESIGNED:	OSCAR								
DRAWN:	MSL								
CHECKED:	OSCAR								
PROJ. ENGR:	OSCAR								

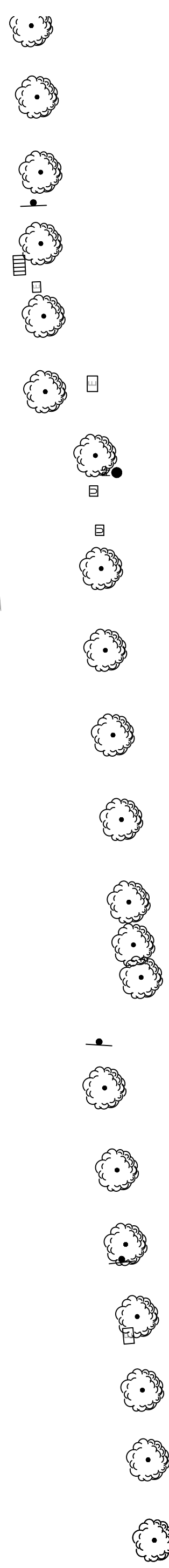


144 North San Mateo Drive • San Mateo, CA 94401
(650)344-9901 • Fax (650)344-9920
www.freyerlaureta.com

DATE	DESCRIPTION OF REVISIONS	APPD

LAUREL RD

OXFORD DR



1 ELECTRICAL SITE PLAN
SCALE: 1"=20'-0"

V:\\$4001 - Current\4252 - Dewey Park\4252 E2.0.dwg

DATE: 6/22/17	06/22/17	ADDENDUM 1	SUBCONSULTANT:		<p>ELECTRICAL SITE PLAN</p>	<p>SHEET E2.0</p>	
SCALE:			<p>ZEIGER ENGINEERS, INC. ELECTRICAL CONSULTANTS 478 3RD STREET OAKLAND, CA 94607 TEL (510) 452-9391 FAX (510) 452-0661</p>				<p>144 North San Mateo Drive • San Mateo, CA 94401 (650)344-9901 • Fax (650)344-9920 www.freyerlaureta.com</p>